

STARWIRE LIGHTING CO.,LIMITED

Product Sepcification

***Product Name: Mini RGB Amplifier(5VDC/12VDC/24VDC)**

***Item No: SW-RA-D**



***Summarization**

Mini RGB amplifier applies to all the voltage-controlled LED controller in our company, it can receive PWM (Pulse Width Modulation), each time add one RGB amplifier, the connecting number of led will be more than twice, in theory, numerous RGB amplifiers can be connected.

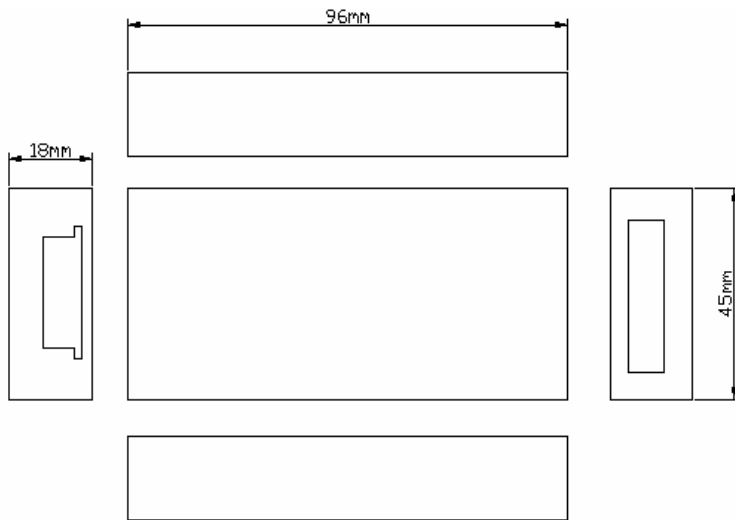
***Technical Parameters**

- working temperature: -20-60℃
- supply voltage: DC5V, 12V, 18V, 24V optional (Specify the required voltage on order form)
- output: 3 channels
- connection mode: common anode
- external dimension: L98XW45XH18mm
- packing size: L105XW65XH40mm
- net weight: 50g
- gross weight: 70g
- static power consumption: <1W
- output current: <4A(each channel)
- output power: 5V:<60W, 12V:<144W, 24V:<288W

STARWIRE LIGHTING CO., LIMITED

Product Sepcification

* Dimension Drawing



* Interface specifications:

Power input interface:



signal output interface:



signal input interface:



* Direction for use

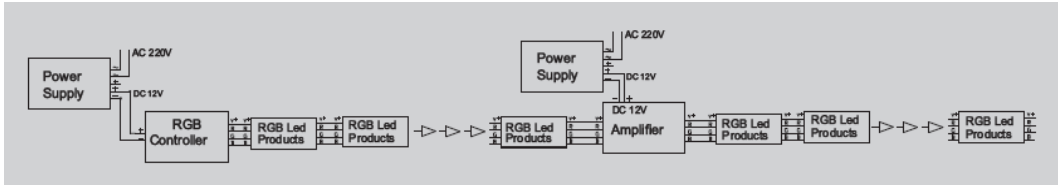
according to the silk-screen prompts on the panel of RGB amplifier, to connect input and output signal wires in order to ensure short circuit can not occur between wires, and then connect power for RGB amplifier, and RGB amplifier goes hand in hand with LED controller. please refer to the following < Typical applications >.

STARWIRE LIGHTING CO., LIMITED

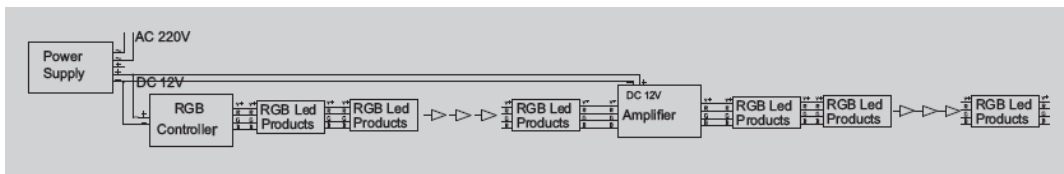
Product Sepcification

* Typical Applications

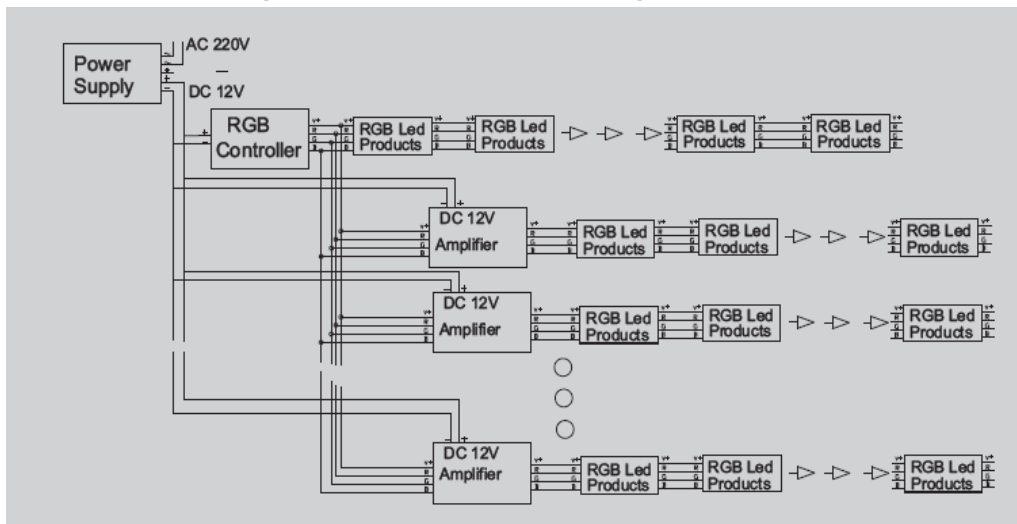
structure one:serial connection,two or more power switch.



structure two:serial connection,one power switch.



structure three: parallel connection,one power switch.



structure four: parallel connection, two or more power switch.

